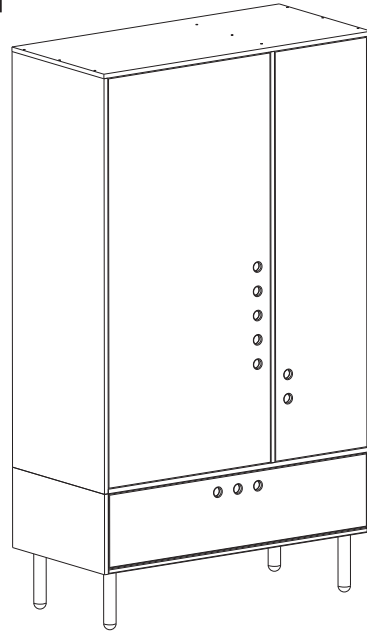
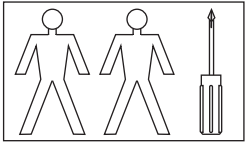


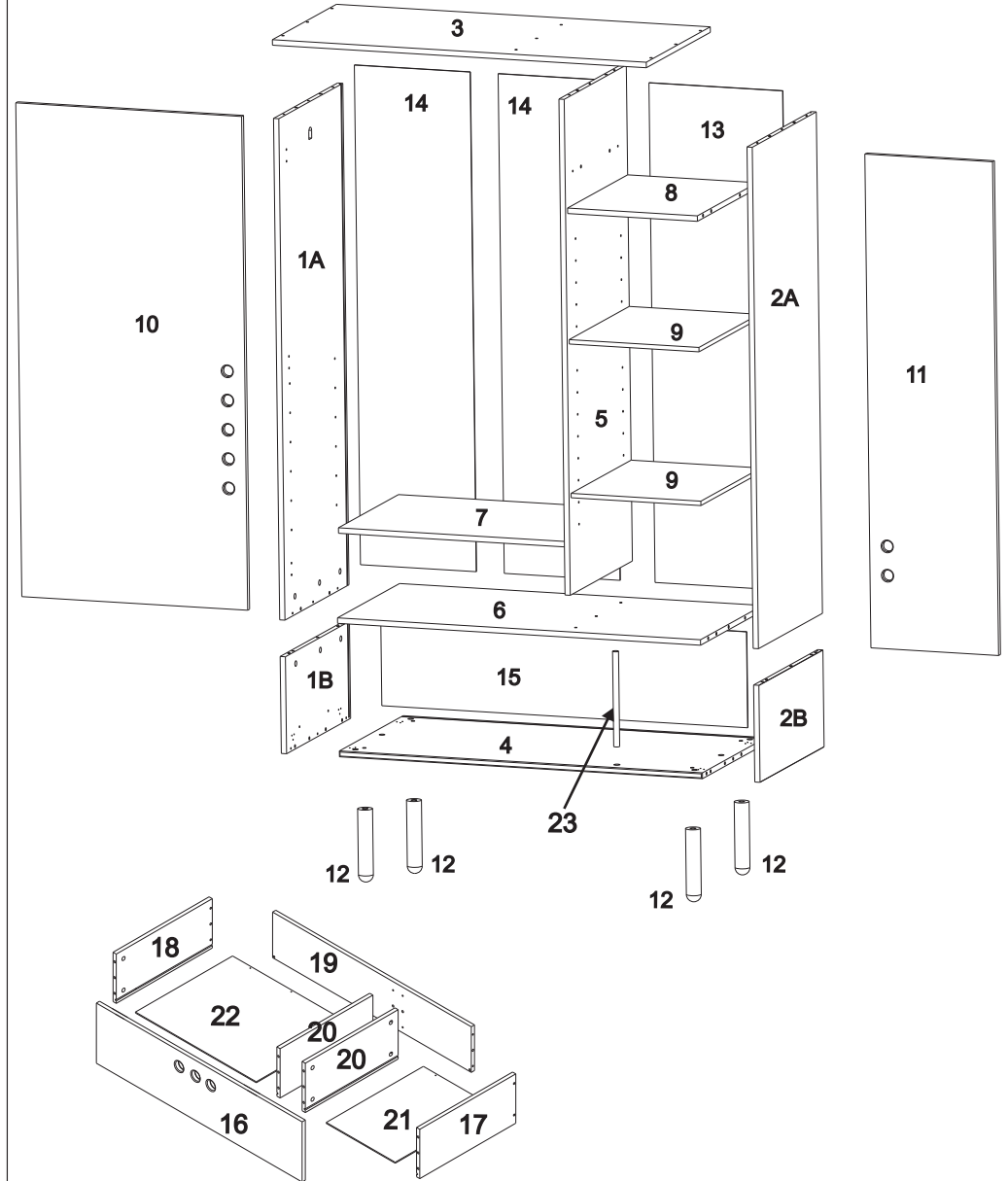
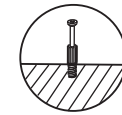
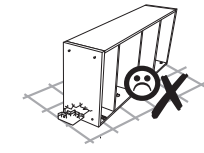
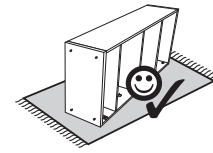
# River

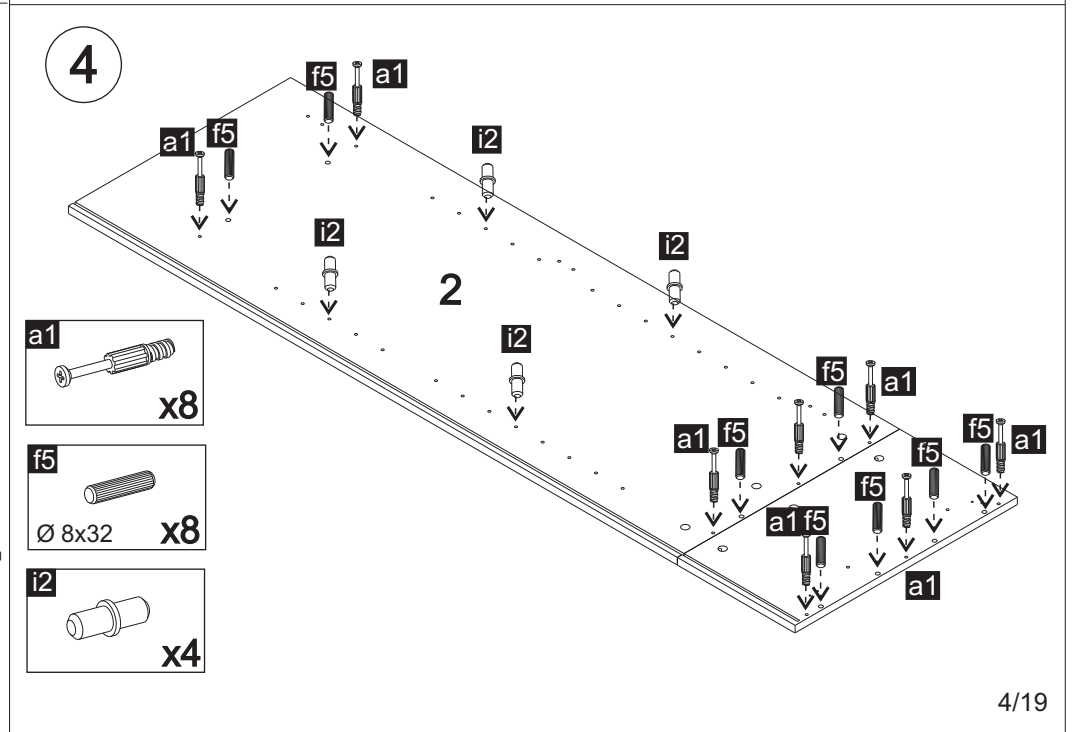
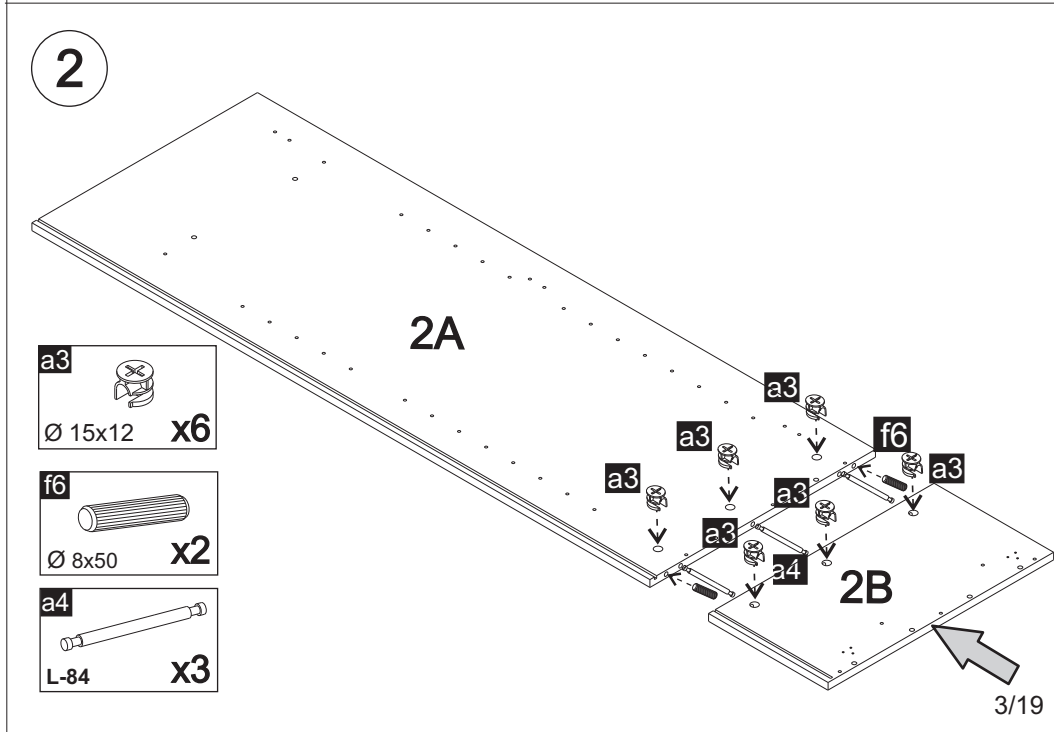
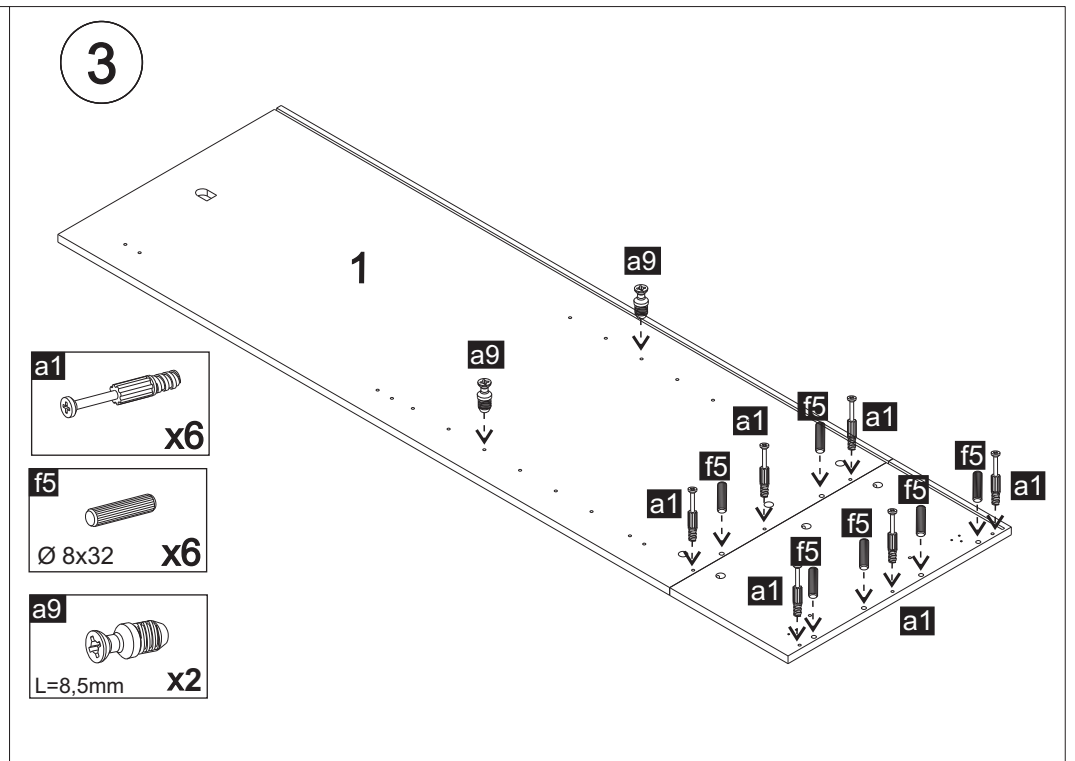
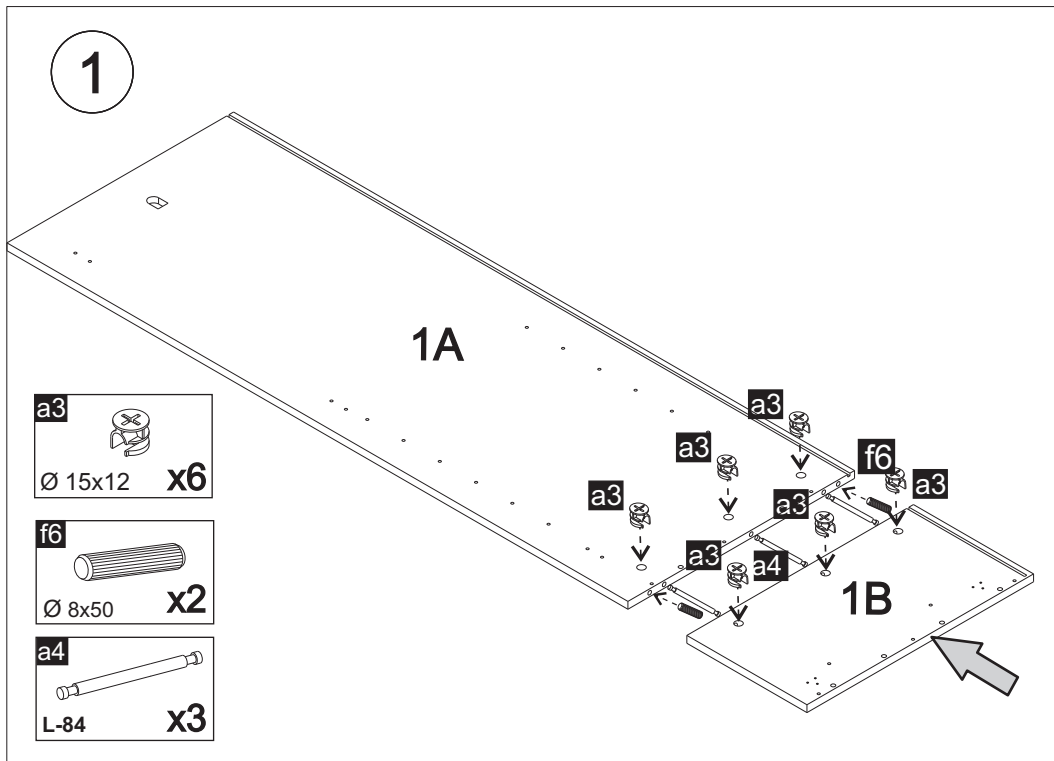


107cm x 185cm x 50cm

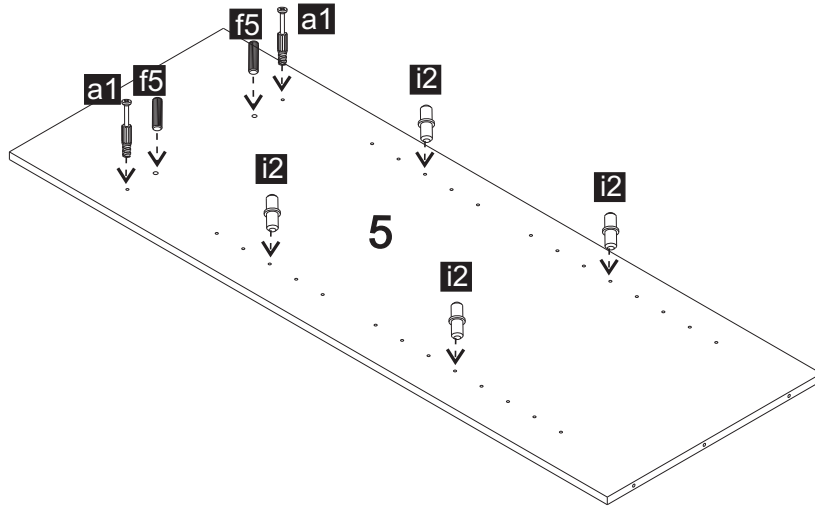
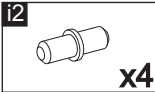
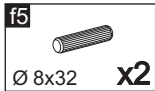
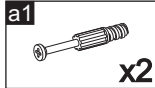


<b>O5</b>  x4	<b>O4</b>  x4	<b>c12</b>  Ø 3x13 x16	<b>a4</b>  L-84 x6	<b>f6</b>  Ø 8x50 x4
<b>x1</b>  x1	<b>a9</b>  L=8,5mm x4	<b>a10</b>  Ø 20x12 x4	<b>D31</b>  L-670 x1	<b>h19</b>  Ø 8x40 x4
<b>f5</b>  Ø 8x32 x30	<b>a1</b>  x30	<b>a3</b>  Ø 15x12 x42	<b>c3</b>  Ø 3x20 x22	<b>k1</b>  x14
<b>P10</b>  L-400 x1	<b>P11</b>  L-400 x1	<b>d2</b>  Ø 6,3x10 x4	<b>i2</b>  x8	<b>n1</b>  x32
<b>b1</b>  Ø 7x50 x16	<b>c4</b>  Ø 3,5x13 x12	<b>d1</b>  Ø 6,3x13 x12	<b>M2</b>  x6	<b>z7</b>  30x30x30 x4
<b>j26</b>  L-1355 x1	<b>o1</b>  x1	<b>o2</b>  x1	<b>c12</b>  Ø 3,5x13 x2	<b>c15</b>  Ø 3x13 x24

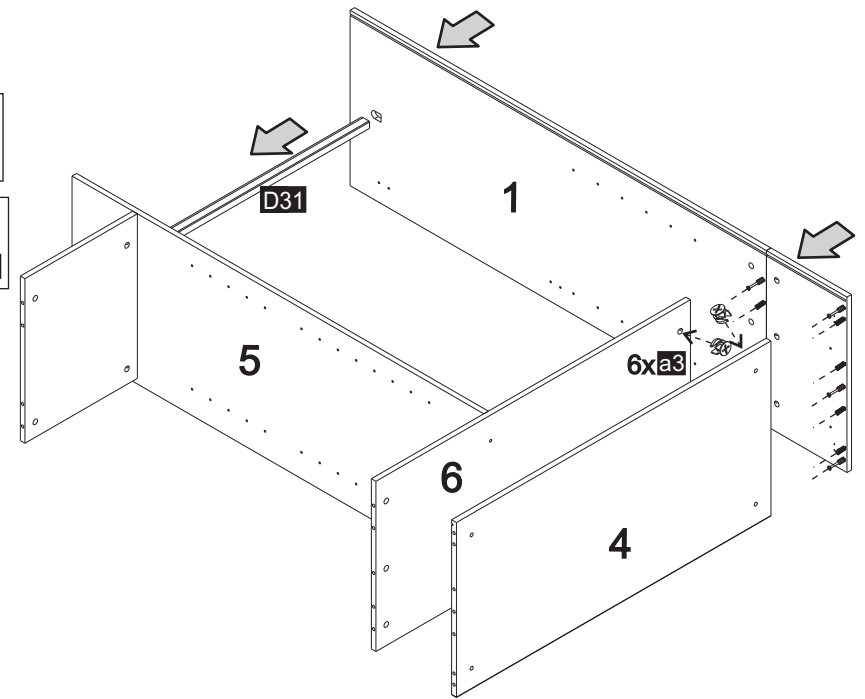
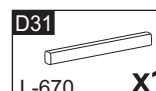




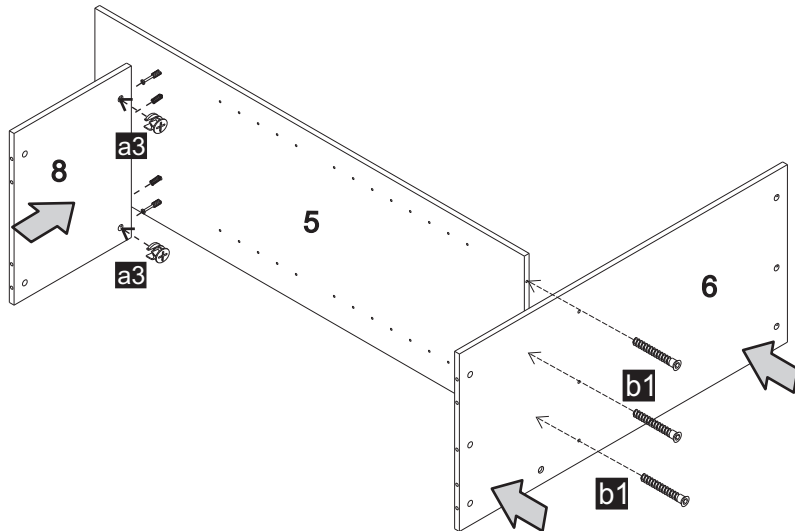
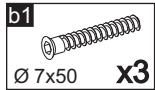
5



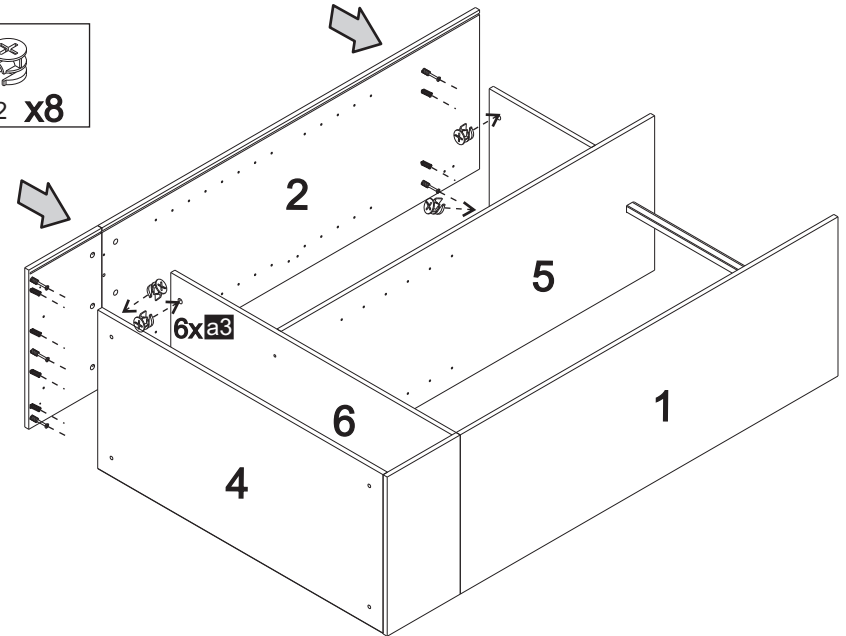
7



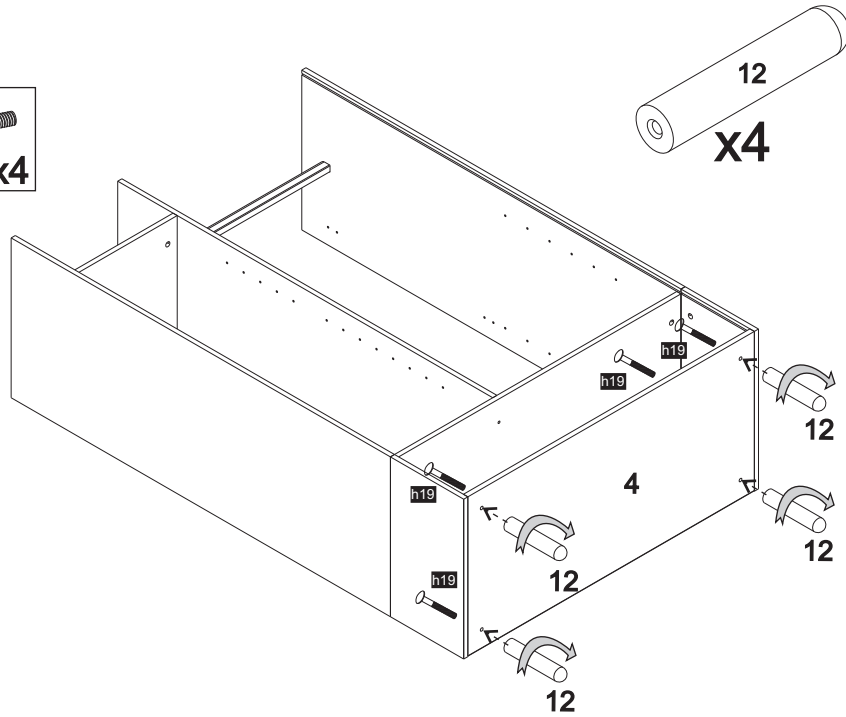
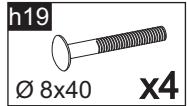
6



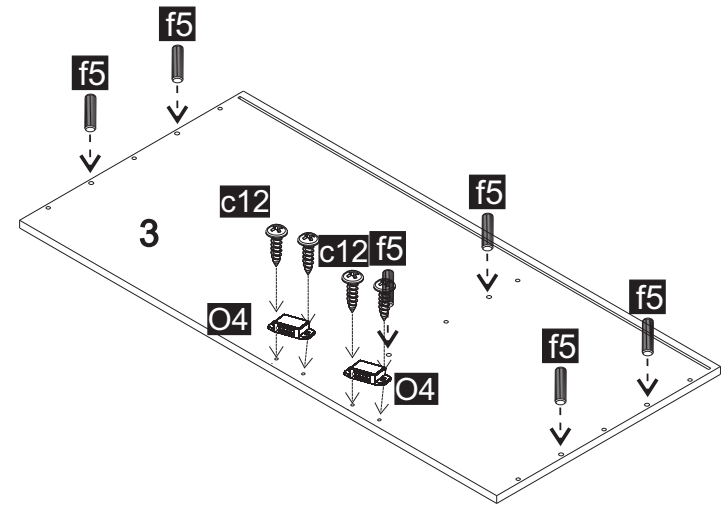
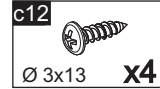
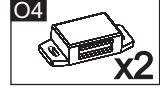
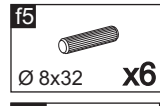
8



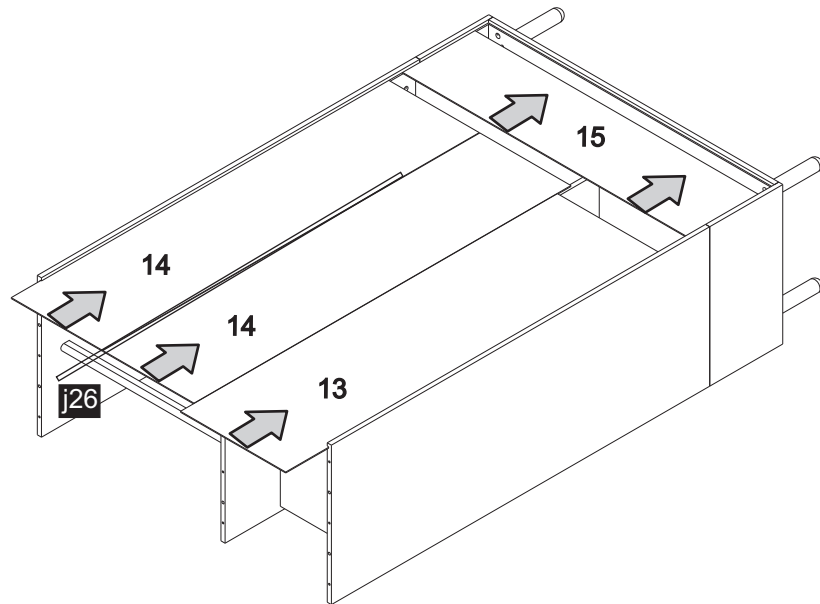
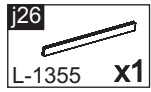
9



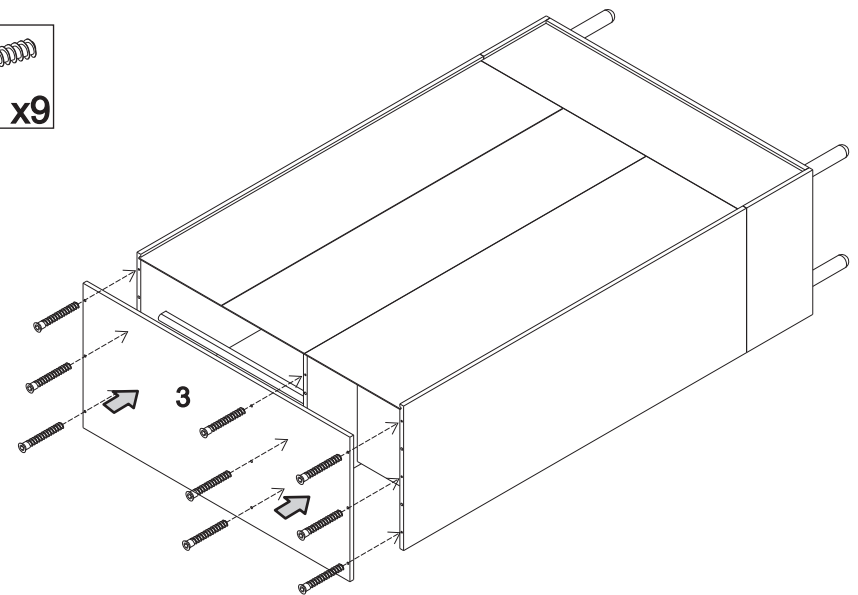
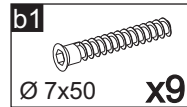
11



10



12



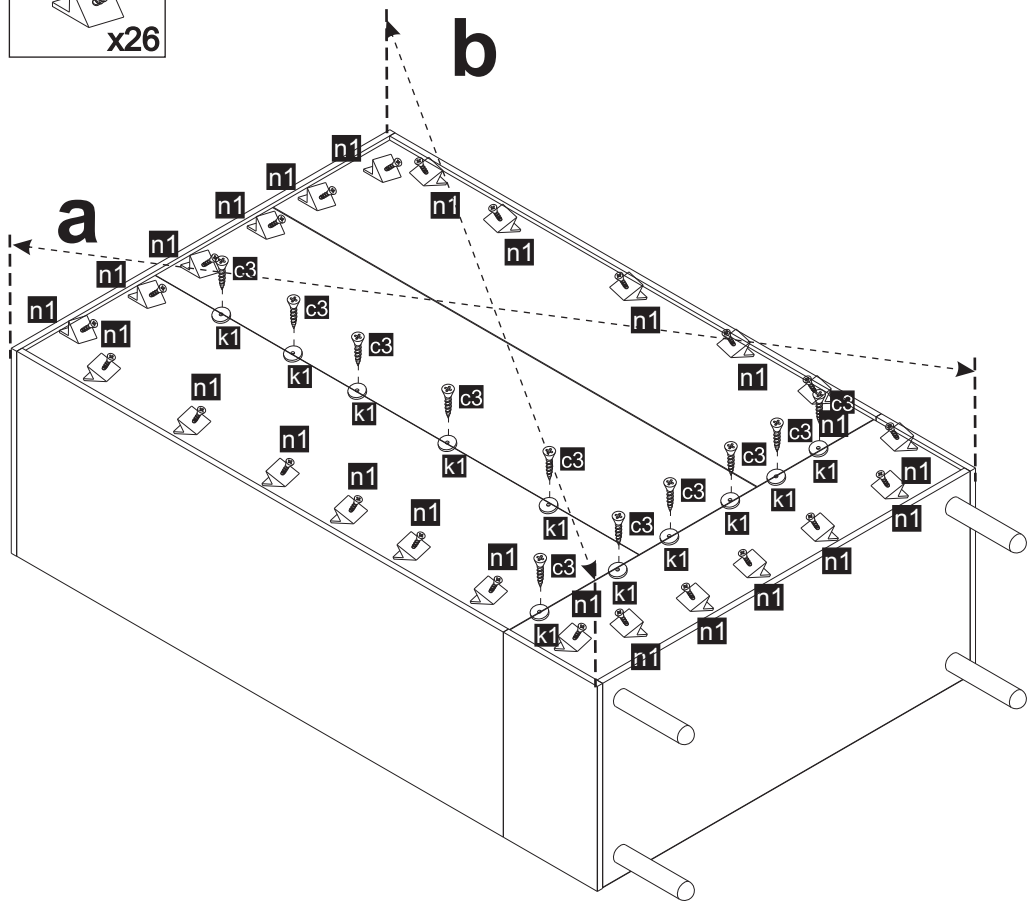
13

c3  
Ø 3x20 x11

k1  
x11

n1  
x26

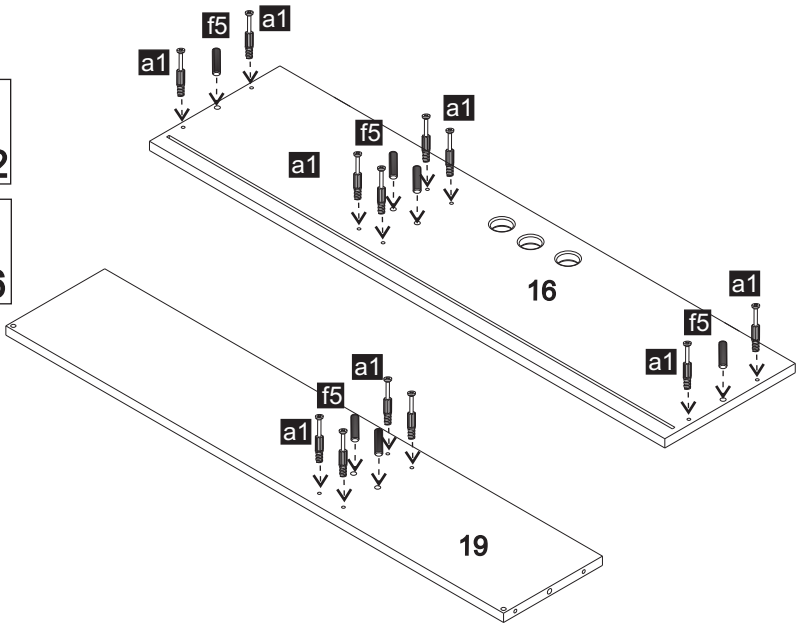
 a=b



14

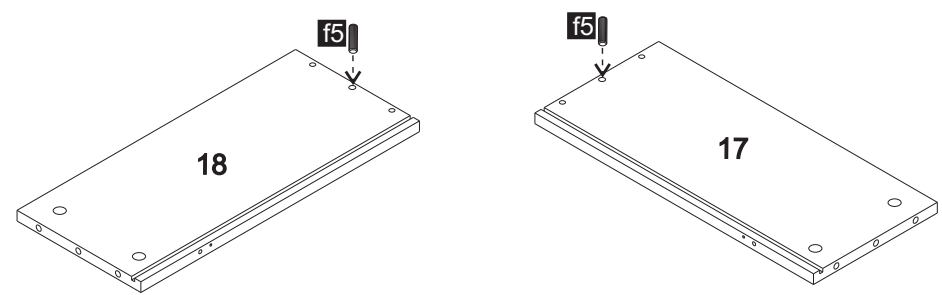
a1  
x12

f5  
Ø 8x32 x6

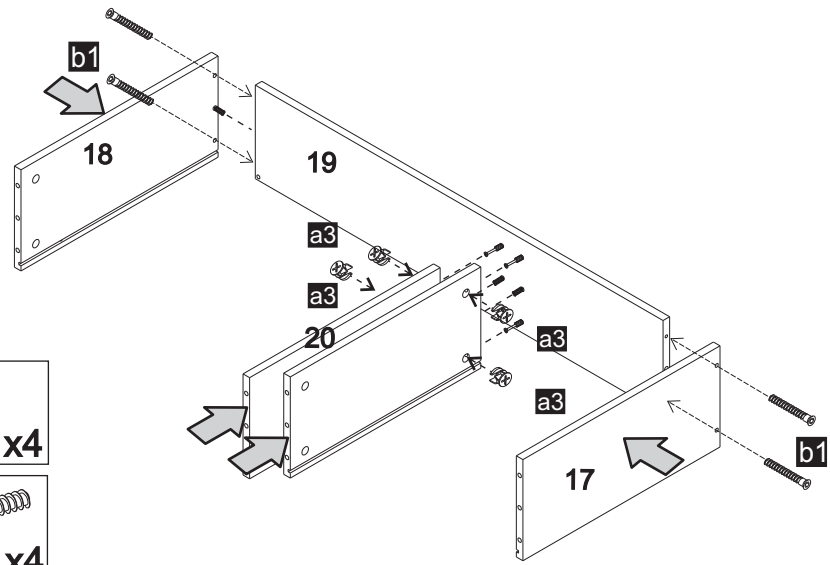




15

f5  
Ø 8x32 x2

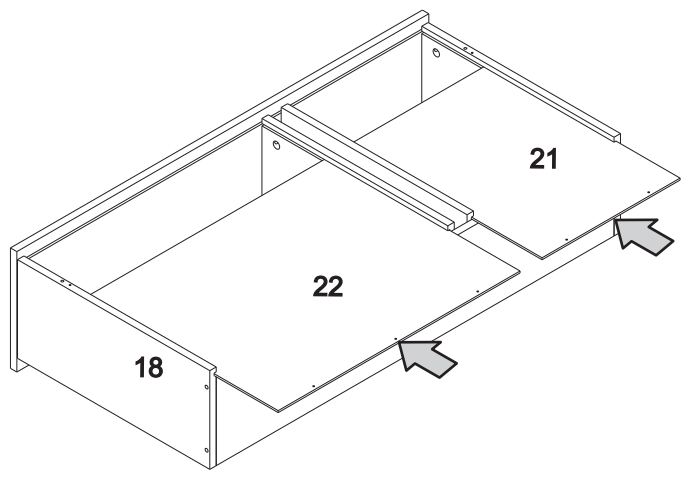


16

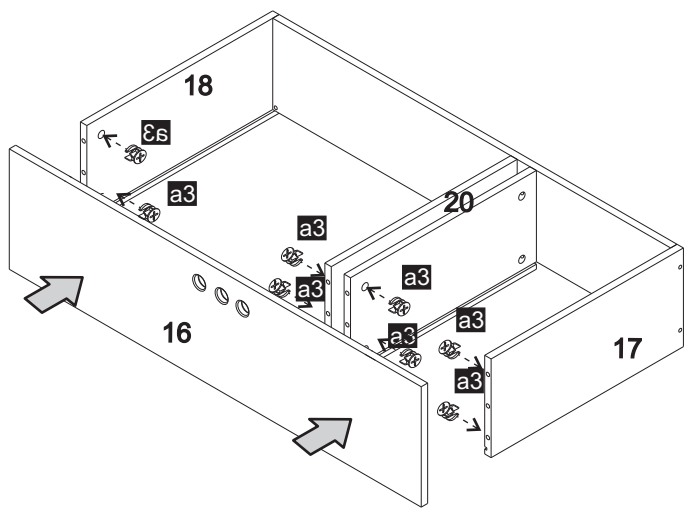



- a3**   $\varnothing$  15x12 **x4**
- b1**   $\varnothing$  7x50 **x4**

18

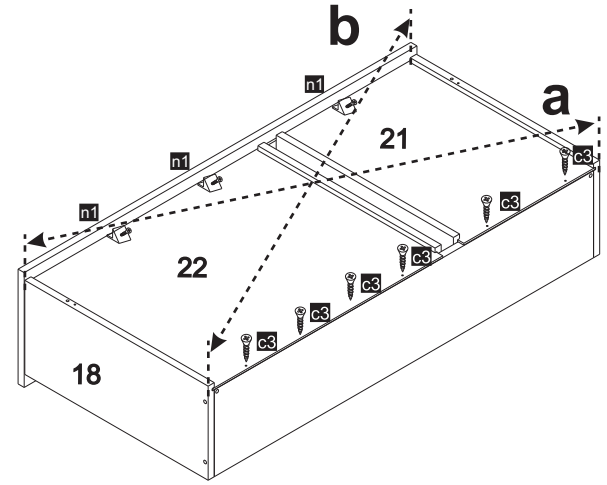



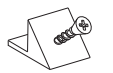
17



- a3**   $\varnothing$  15x12 **x8**

19

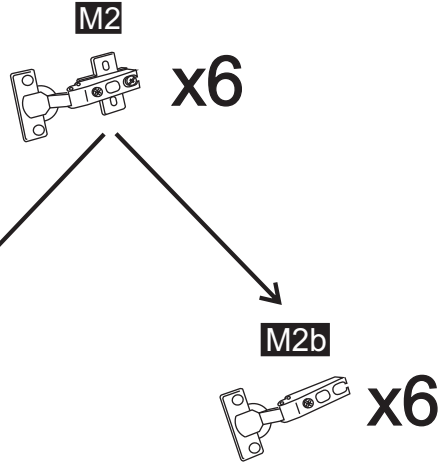
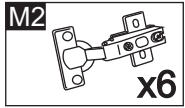


- c3**   $\varnothing$  3x20 **x6**
- n1**  **x3**

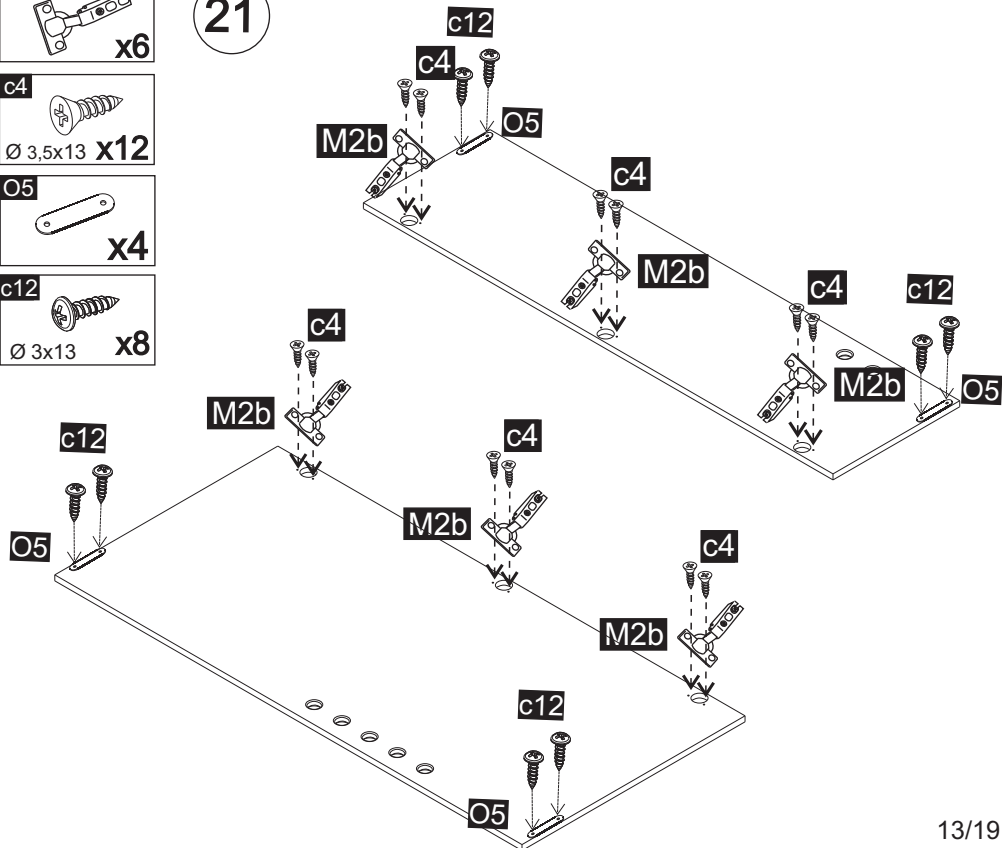
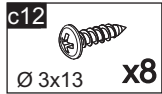
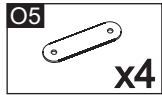
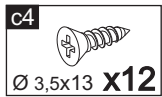
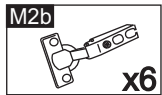
 **a=b**



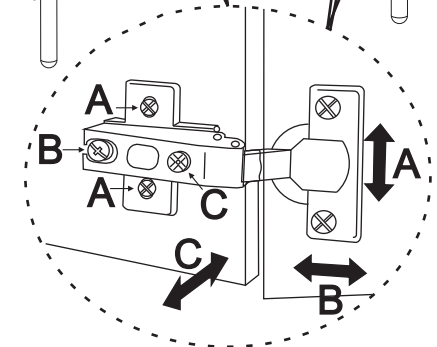
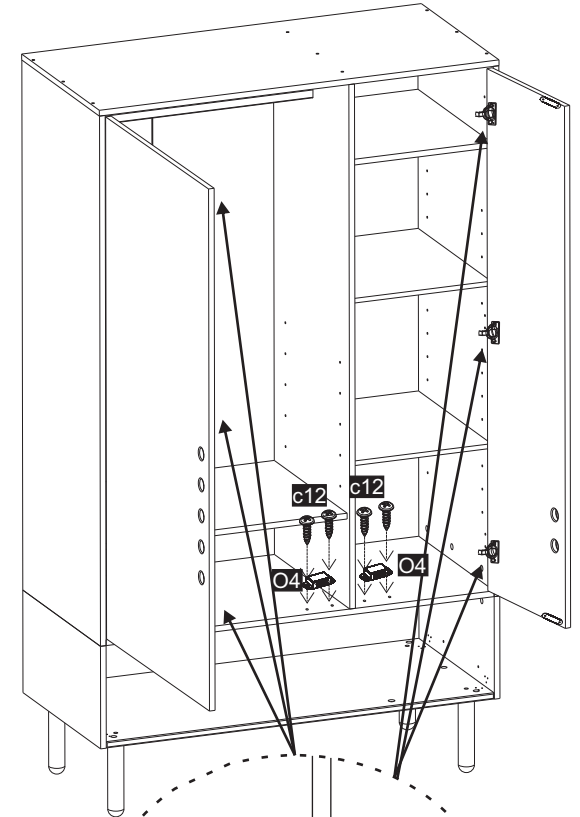
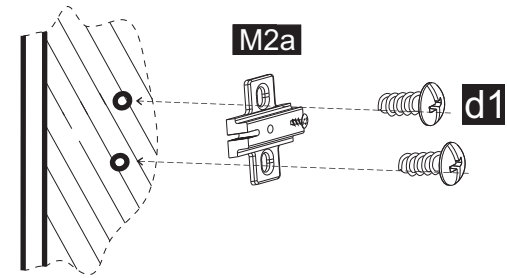
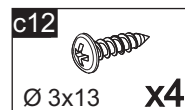
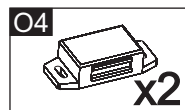
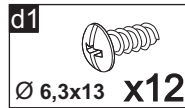
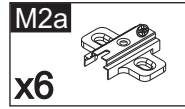
20



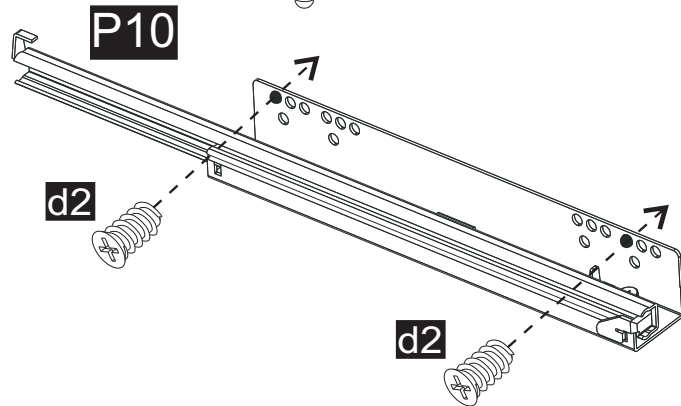
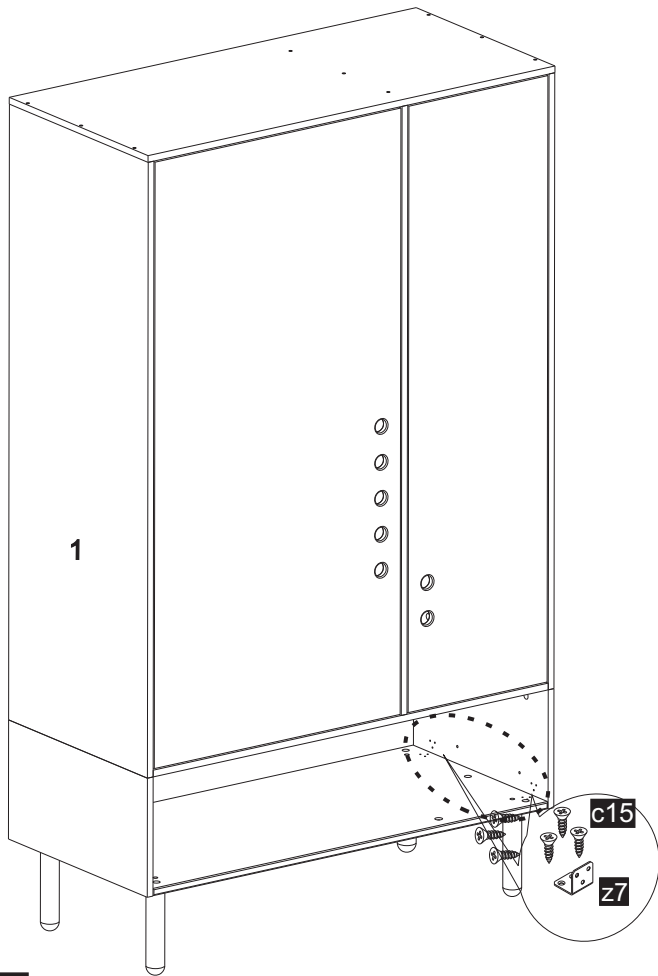
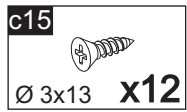
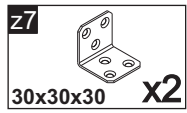
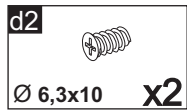
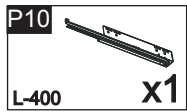
21



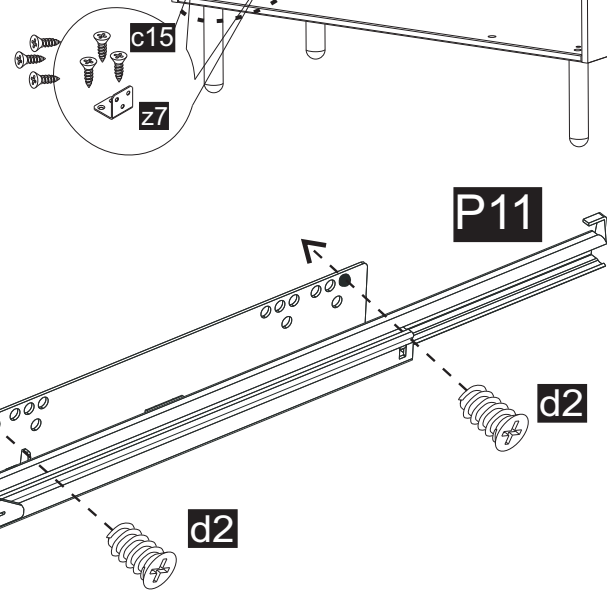
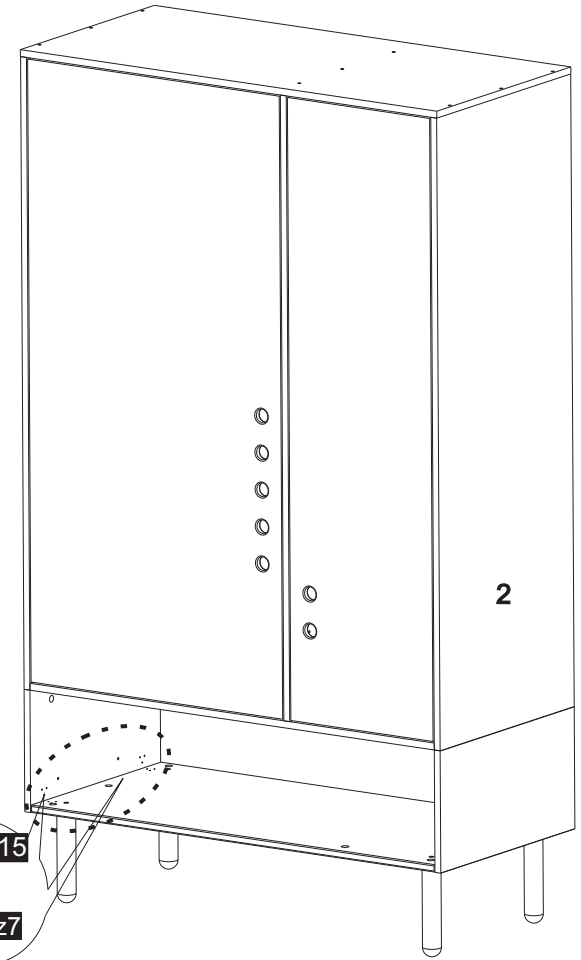
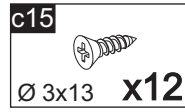
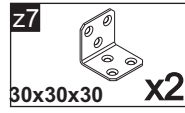
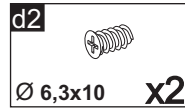
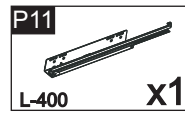
22



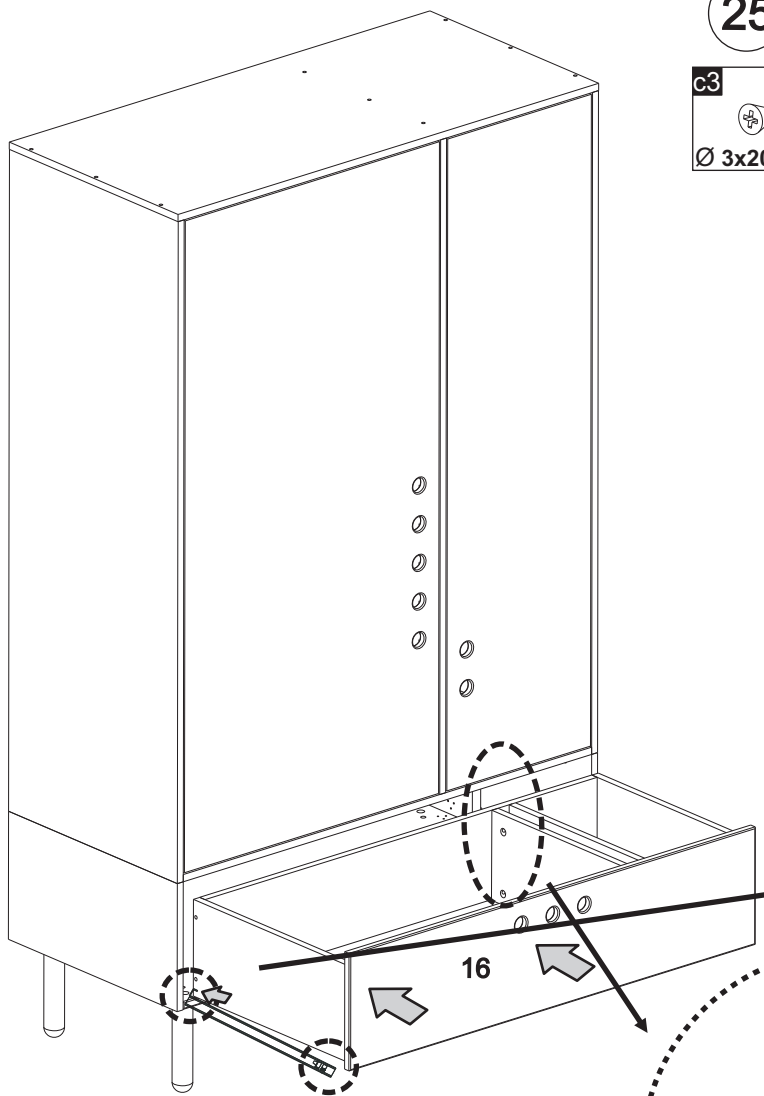
23



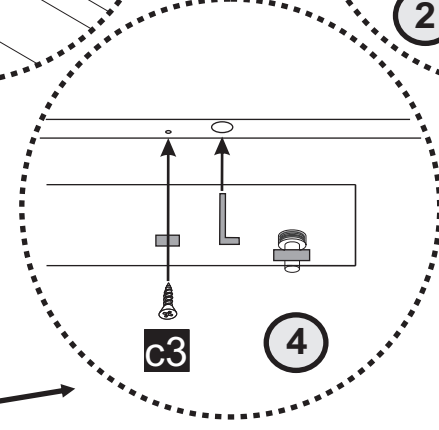
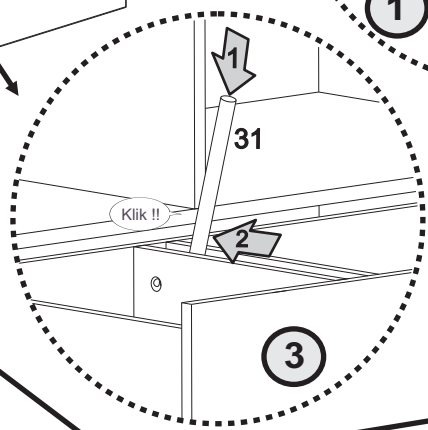
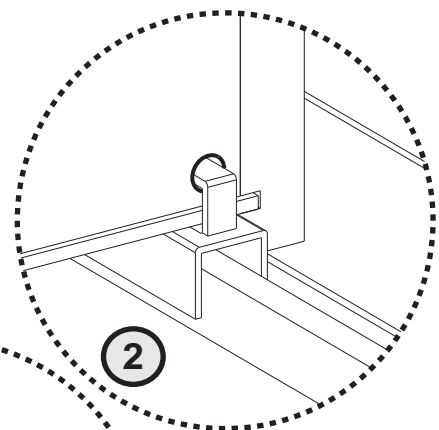
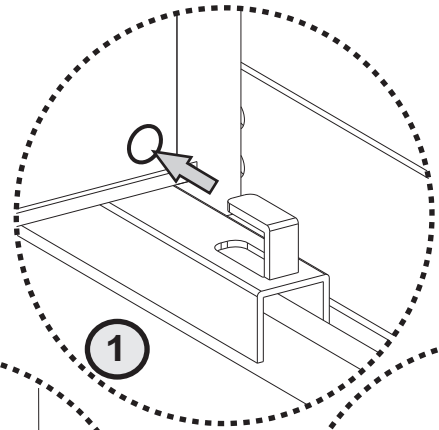
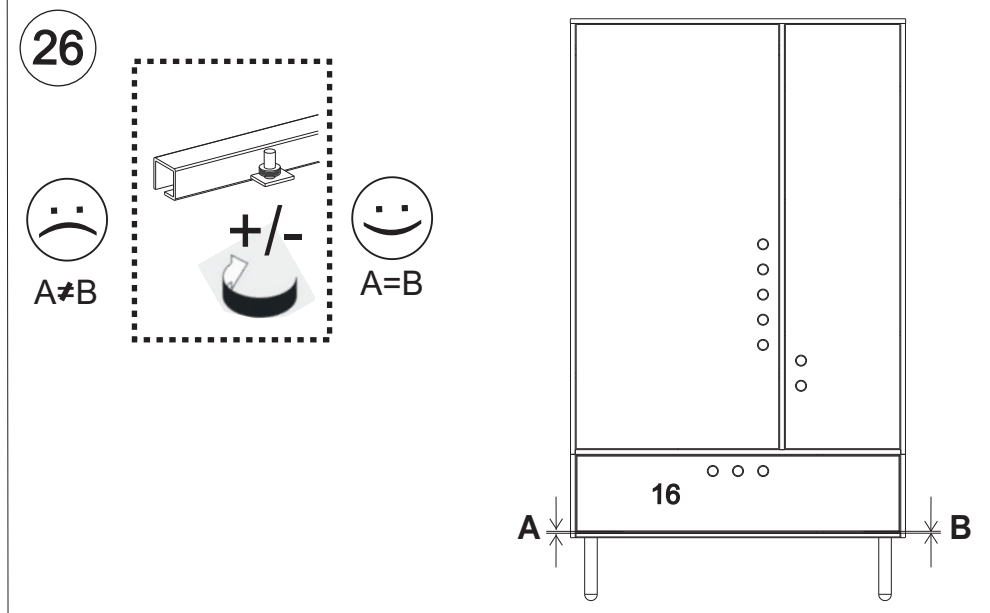
24





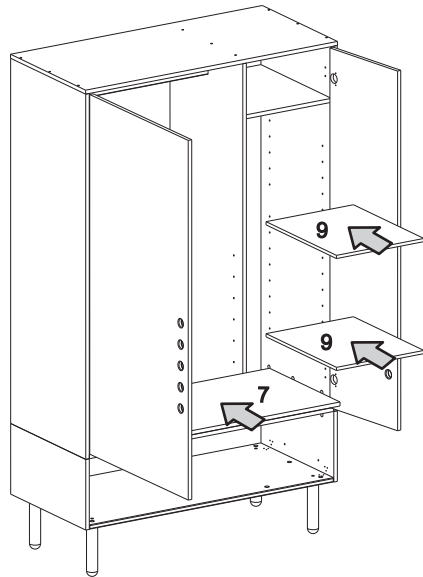
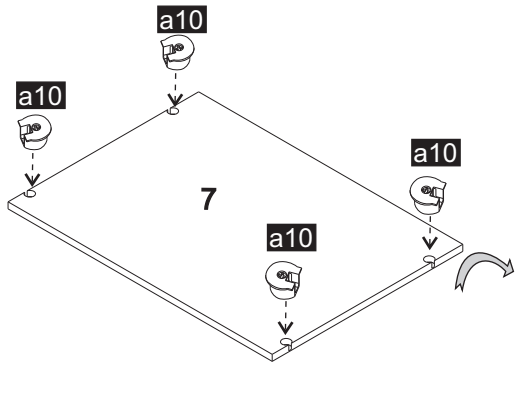


25  
c3  
Ø 3x20 x2



27

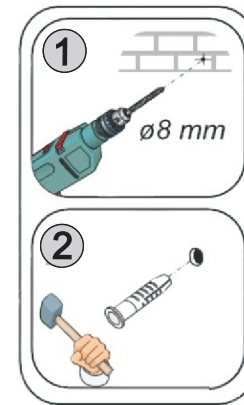
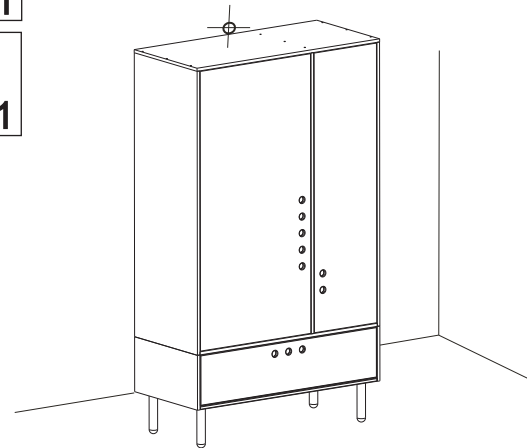
a10  
Ø 20x12 x4



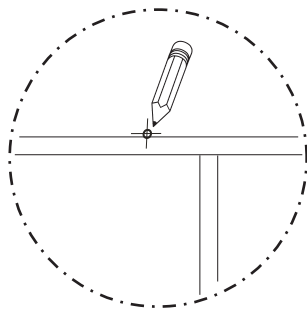
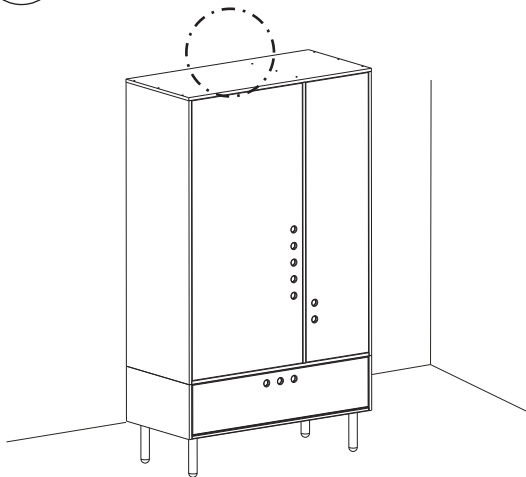
29

o1  
x1

o2  
x1



28



30

c12  
Ø 3,5x13 x2

